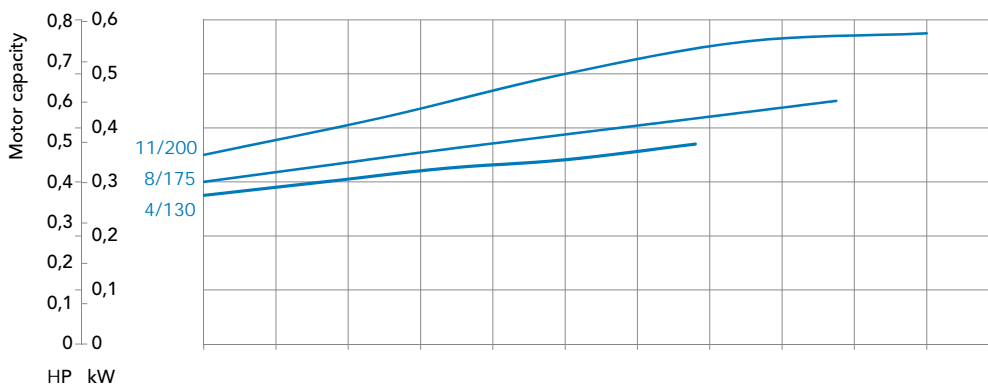
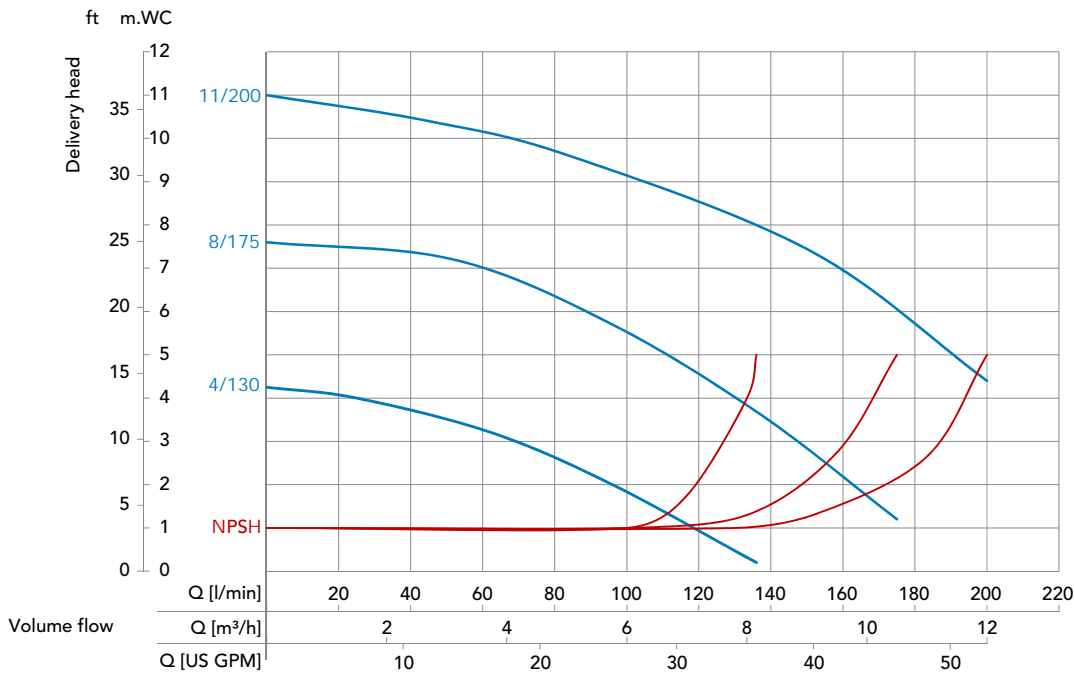


MM pump type 2



- Without shaft seal
- Robust and casted casing
- CARTRIDGE UNIT for fast and easy maintenance
- Temperature up to 120°C (higher temperatures are possible)
- Close coupled, single stage, back-pullout-design
- Universal DIN/ANSI connection
- Suction port DN40
- Discharge port DN25

Characteristic curve



Technical Data MM BG2

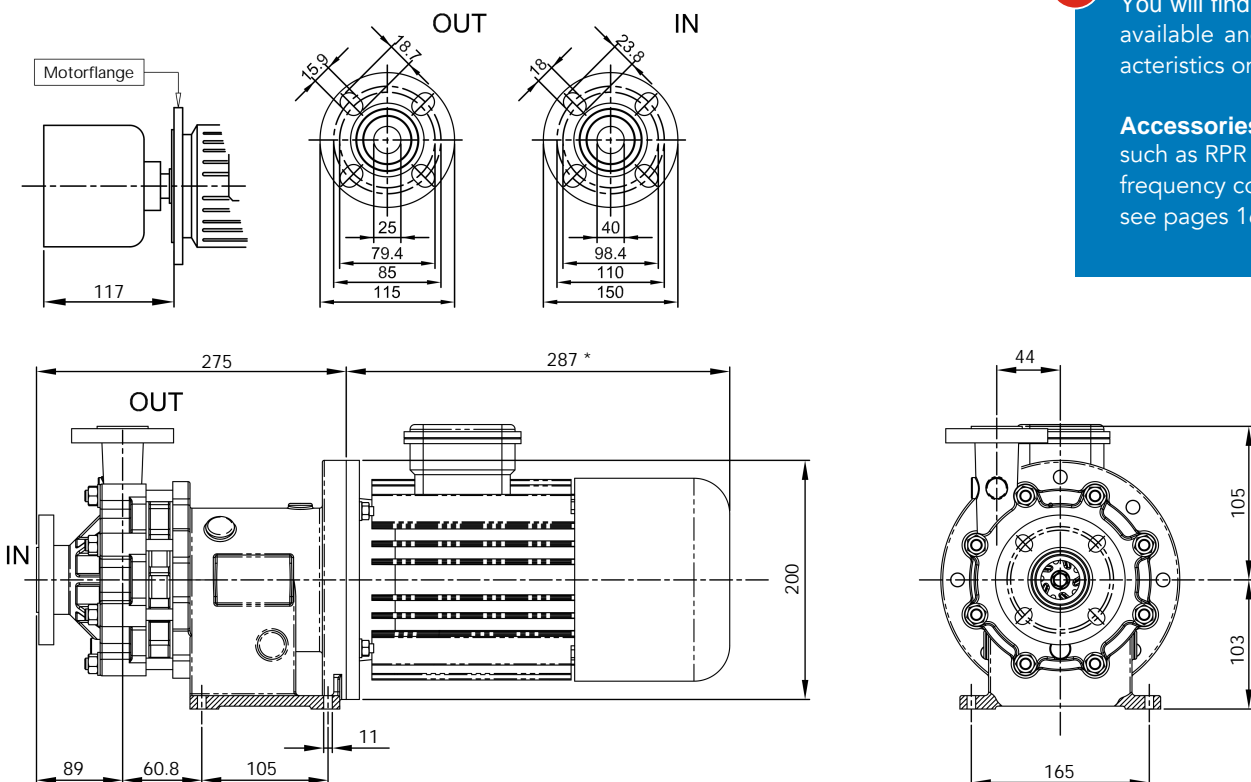
Type	4/130		8/175		11/200	
Material	Stainless Steel 1.4401 (AISI 316)					
Max. delivery head [mWC] 50 Hz	4		8		11	
Max. volume flow in [l/min] 50Hz	130		175		200	
Max. density in [g/cm ³] 50 Hz *	2	2,8	1,6	2,4	1,3	1,9
Motor capacity [kW]	0,75	1,1	0,75	1,1	0,75	1,1
Current rating (400V, 50Hz) [A] **	1,56	2,25	1,56	2,25	1,56	2,25
Rated speed in [rpm] 50 Hz	3000					
Suction port	DN40					
Discharge port	DN25					
Voltage in [V] ***	230/400					
Protection class	IP55					
Max. flow velocity [m/s]	Suction side 1 / discharge side 3					
Max. system pressure [bar]	25 / optional 50					
Max. Temperature [°C]	120 / optional up to 300					

* approx. at max. volume flow (higher density possible when flow rate is reduced)

** depends on motor supplier

*** other voltages on request

Dimensions [mm]



Materials

You will find all materials available and their characteristics on page 4.

Accessories

such as RPR control and frequency converters see pages 16 to 17.

* Motor dimensions may differ according to manufacture.