

# MAGSON MA

Magnetically coupled centrifugal  
pumps made of PP / ETFE  
Type 6/6H



# MA type 6/6H



- execution with thread adapter

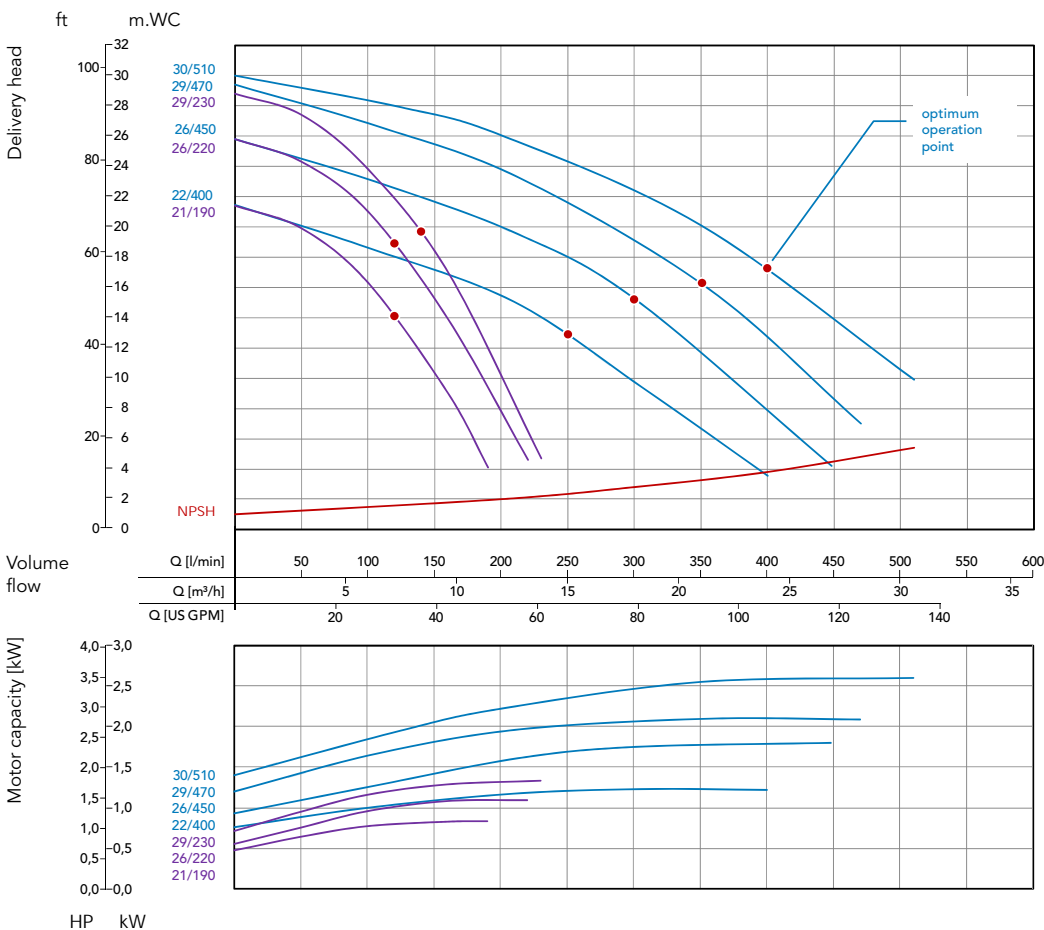


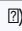
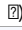
- without shaft seal
- streamlined spiral housing made of PP or ETFE
- volume flow of up to 510 l/min
- delivery head of up to 30m.WC
- back pull-out



For all advantages of MAGSON pump series see page 9 of main catalogue.


## Performance curves



Technical data MA	Type 6						Type 6H		
	22/400		26/450	29/470	30/510		21/190	26/220	29/230
Materials *	PP (glass-fiber reinforced) / ETFE (carbon-fiber reinforced)								
Max. delivery head in [m.WC] at 50 Hz	22		26	29	30		21	26	29
Max. volume flow in [l/min] at 50 Hz	400		450	470	510		190	220	230
Max. density in [g/cm <sup>3</sup> ] at 50 Hz **	1.2	1.8	1.2	1.0	1.15	1.5	1.8	1.8	1.6
Motor capacity in [kW]	1.5	2.2	2.2	2.2	3	4	1.5	2.2	2.2
Current rating (400 V, 50 Hz) in [A]	3	4.2	4.2	4.2	5.6	7.3	3	4.2	4.2
Rated speed in [rpm] at 50 Hz / 60 Hz	3000 / 3600								
Suction port	DN 50 (alternative G 2 3/4")						DN 25 (alternativ G 1  )		
Discharge port	DN 40 (alternative G 2 1/4")						DN 25 (alternativ G 1  )		
Voltage in [V]	230 / 400 V three-phase AC								
Protection class	IP 55								
Max. flow velocity in [m/s]	suction side = 1 / discharge side = 3								
Max. temperature for PP / ETFE in [°C]	70 / 80								
Max. system pressure for PP / ETFE at 20 °C in [bar]	5			6			6		

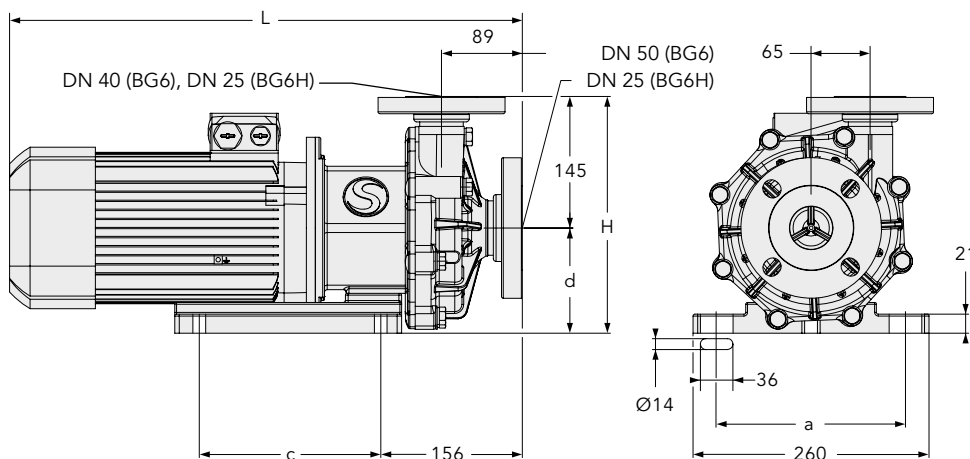
\* Material used for housing, impeller unit and rear casing: (sheath of inner magnet made of PP without fiber reinforcement)

\*\* approx. value at max. volume flow (higher density possible when flow rate is reduced)

\*\*\* alternative G 1 

Dimensions	Type 6						Type 6H		
	22/400		26/450	29/470	30/510		21/190	26/220	29/230
Dimension a [mm]			208		230		208		
Dimension c [mm]			200		261		200		
Dimension d [mm]			116		135		116		
Dimension H [mm]			261		280		261		
Dimension L [mm]	525	565	565	565	619	602	525	565	565

Motor dimensions may differ according to manufacture.



### Materials and much more

You will find all details and more of MAGSON pump series within the main catalogue.

Fig.: MA pump type 6 with motor of up to 2.2kW

# For all types of connections

No matter which type of connection you have – MAGSON is the perfect solution, even in that case.

Conventional centrifugal pumps usually follow a connection form. Either you have flange connections acc. to DIN (or ANSI) or a thread connection (internal or external thread). You have then to adapt your system to the pump, order the pump according to your requirements (usually with longer delivery time and higher costs than standard version) or create a complex transfer piping between the system and the pump. MAGSON also offers the ideal solution for all

## **MA with loose flange: perfekter connection at flanges**

No matter how the drilling pattern of the pipeline comes to rest after completion, thanks to the loose flange on the MAGSON you can connect directly. Simply turn the loose flange on the pump until it matches the pipe and you can screw it down.



## **MA with loose flange**

Loose flanges are preassembled.

Moreover, it does not matter if your pipeline is designed according to DIN or ANSI. MAGSON always fits!

## **MA with thread adapter: the universal**

MAGSON magnetic centrifugal pumps go a step further; also here: with the standards supplied threaded adapters, you can adapt pumps to the standardized coupling nuts in standards dimensions. We also ensure that the pipeline has a sufficiently large diameter in order to optimize the flow conditions around the pump. If necessary, we also provide you with an adapter tailored to your needs.

## **MA with hose connections: a round thing**

And if it has to be flexible there is also the hose connection. Thus all types of connections are available, which makes the connection to your system as simple as possible.



All details described at page 4.



## **MA mit thread adapter**

Threaded adapters are supplied as standard and can be mounted as required

# Accessories to MAGSON pumps

## Motor accessories

- ON/OFF switch with 2.5 m cable and plug (230 V AC only)
- 5 m three-phase connection cable with CEE plug of 5 × 16 A, fully assembled
- Frequency converter of IP class 65, mounted directly to the motor or for wall mounting
- Electronic monitoring system to always optimize the availability of your pump

## Slip-on flanges

To screw onto threaded ports including O-Rings. All MAGSON MA and MAS types 4, 5 and 6 as well as types 4H, 5H and 6H are equipped with slip-on flanges and additional loose thread adapters delivered with the pump.

Type	Nominal diameter of suction port	Nominal diameter of discharge port	Material of PP	Material of ETFE
MA types 2 / 3, MAS type 4, MA (types 4H, 5H and 6H)	DN 25 PN 10	DN 25 PN 10	•	•
MA types 4 / 5, MAS type 5	DN 40 PN 10	DN 40 PN 10	•	•
MA type 6	DN 50 PN 10	DN 40 PN 10	•	•
MAS type 6	DN 50 PN 10	DN 50 PN 10	•	•

• Standard (off the shelf)

## Hose connections

Three-piece hose connections with spigot nut and hose nipple.

Connection	Hose nipple	to suction port	to discharge port
1 ½" thread	1"	MA types 2 / 3 + 4H-6H, MAS type 4	MA types 2 / 3 + 4H-6H, MAS type 4
	1 ¼"		
	1 ½"		
2 ¼" thread	1 ½"	MA types 4 / 5, MAS type 5	MA types 4 / 5 / 6
	2"		

## Thread adapters

to screw onto threaded ports including O-rings connecting with insert fitting and spigot nut

Type	Nominal diameter of suction port	Nominal diameter of discharge port	Material of PP	Material of PVDF
MA types 2 / 3, MAS type 4, MA (types 4H, 5H and 6H)	DN 25 PN 10	DN 25 PN 10	•	•
MA types 4 / 5, MAS type 5	DN 40 PN 10	DN 40 PN 10	•	•
MA type 6	DN 50 PN 10	DN 40 PN 10	•	•
MAS type 6	DN 50 PN 10	DN 50 PN 10	•	•

Also available are port seals, shut-off and check valves etc. suitable to any MAGSON pump. Our product specialists will be glad to help you!

# Contact us

Thanks to our wide distribution network with 13 sites in Germany, you will always find qualified advisers of SONDERMANN's or our parent company FLUX's at close range.

## 1 Berlin/Brandenburg

SONDERMANN Pumpen + Filter GmbH & Co. KG  
August-Horch-Strasse 2  
D-51149 Cologne  
Phone +49 2203 9394-0  
info@sondermann-pumpen.de

## 3 Hanover/Kassel/Magdeburg

Dipl.-Ing. (FH) Ulrich Poehls  
Alte Bemeroder Strasse 122  
D-30539 Hanover  
Phone +49 511 517151  
Mobile +49 172 6287783  
u.poehls@flux-pumpen.de

## 5.1 Southwest North Rhine-Westphalia

Dipl.-Ing. (FH)  
Joachim Kehrenbach  
August-Horch-Strasse 2  
D-51149 Cologne  
Mobile +49 173 7162844  
j.kehrenbach@sondermann-pumpen.de

## 2 Hamburg/Schleswig-Holstein/Mecklenburg-West Pomerania

Dipl.-Ing. (FH) Dieter Roy  
Dorfstrasse 23  
D-21514 Klein Pampau  
Phone +49 4155 8238100  
Mobile +49 172 6287782  
d.roy@flux-pumpen.de

## 4 Bremen/Munster

Dipl.-Ing. (FH) Mathias Reimer  
Am Zwickelbach 18  
D-49324 Melle  
Phone +49 5422 9227480  
Mobile +49 170 1802546  
m.reimer@flux-pumpen.de

## 5.2 Northeast North Rhine-Westphalia

Ralf Boesl  
August-Horch-Strasse 2  
D-51149 Cologne  
Mobile +49 173 6055547  
r.boesl@sondermann-pumpen.de



## 6 Hesse

Robert Hoefling  
Odenwaldring 25  
D-63500 Seligenstadt  
Phone +49 6182 1583  
Mobile +49 177 5834969  
r.hoefling@flux-pumpen.de

## 7.1 North Baden-Württemberg

Martin Reichert  
Unterer Steinweg 52/1  
D-75438 Knittlingen  
Phone +49 7043 952-9757  
Mobile +49 174 1665762  
m.reichert@flux-pumpen.de

## 7.2 South Baden-Württemberg

Dipl.-Ing. (FH) Dieter Roeder  
Westendstrasse 4  
D-75015 Bretten  
Phone +49 7252 5049792  
Mobile +49 172 1014217  
d.roeder@flux-pumpen.de



**8 South Bavaria**

Tobias Anton  
Kornblumenstrasse 5  
D-86637 Wertingen  
Mobile +49 172 6287784  
t.anton@flux-pumpen.de

**9 North Bavaria**

Dipl.-Ing. (FH) Wolfgang Schauer  
Am Weinberg 2  
D-91180 Heideck  
Phone +49 9177 4852705  
Mobile +49 172 6287781  
w.schauer@flux-pumpen.de

**10 Rhineland-Palatinate/  
Saarland/Nordbaden**

Frank Schorn  
Fliederstrasse 19  
D-66773 Schwalbach  
Phone +49 6834 567250  
Mobile +49 172 6259223  
f.schorn@flux-pumpen.de

**16 Central Germany**

Dipl.-Ing. (FH) Hendrik Mueller  
Am Kirschrain 5  
D-06193 Petersberg  
Phone +49 34606 290321  
Mobile +49 172 1324674  
h.mueller@flux-pumpen.de



**At your service all over the world**

SONDERMANN pumps and filters are available worldwide. The contact data of our international agencies and representatives are listed at [www.sondermann-pumpen.de](http://www.sondermann-pumpen.de). You may also contact us at our Cologne head office by phone no. **+49 2203 9394-0** or send an email to [info@sondermann-pumpen.de](mailto:info@sondermann-pumpen.de).



For more than 50 years now, SONDERMANN has been your competent partner for the wide range of FLUX pumps made by our parent company. Known for their excellent quality, FLUX pumps are available as barrel and container pumps to submersible centrifugal and eccentric screw pumps to pneumatic diaphragm pumps, mixers, liquid-flow meters, including a wide variety of accessories.



For further information on FLUX pumps and products, visit us at [www.flux-pumpen.com](http://www.flux-pumpen.com)

SONDERMANN  
Pumpen + Filter GmbH & Co. KG  
August-Horch-Strasse 2 · D-51149 Cologne  
P.O. Box 920101 · D-51151 Cologne  
Phone +49 2203 9394-0  
Fax +49 2203 9394-48  
info@sondermann-pumpen.de  
www.sondermann-pumpen.de